

Part number

CMI 06 L



Brief description:

bulkhead mounting housings with single lever, size "77.27" insulated 830V version, insulated 830V version, IP66



Product description

Version	insulated 830V version
Series	Bulkhead mounting housings with 1 lever
Product type	with 1 lever
Family	830V enclosures for CME inserts
Size	size "77.27" insulated 830V version

Technical data

Material	metal
IP degree of protection	IP66 (and IP69K DIN 40050 - 9)

Further technical details

Weight	126,00 g
---------------	----------

Approvals / Standards

Quality mark	 (type:4/4X/12),  , EAC
Conformity	CQC, CE

General ordering information

EAN13 code	8015747030663
Tariff number	85369095

Packaging Information

Packaging length	270,00 mm
Packaging height	185,00 mm
Packaging width	210,00 mm
Packaging weight	2,52 kg
Packaging volume	10,49 dm ³
Packaging description	Carton box
Packaging quantity	20 Pcs
Packaging EAN code	8015747234160
Sub-packaging weight	0,63 kg
Sub-packaging description	Plastic packaging
Sub-packaging quantity	5 Pcs
Sub-packaging EAN barcode	8015747030670

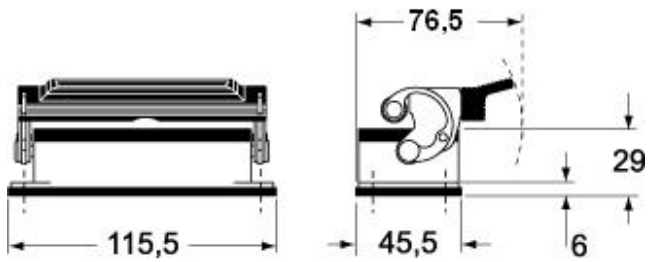
Part number

CMI 06 L

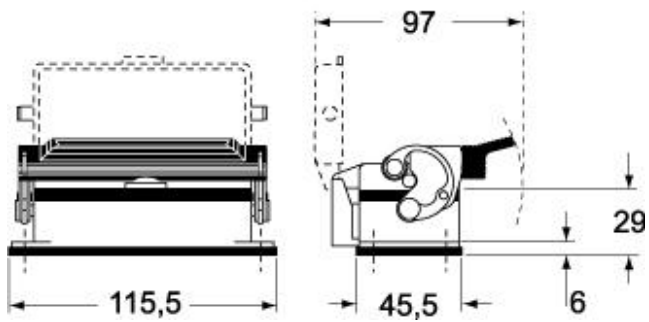


Catalogue drawings

CMI L



CMI LS



Catalogue drawings

